

VME FDDI

Ethernet to FDDI router VME communication module



Supports Ethernet
(ANSI/IEEE 802.3)

Fast Ethernet
(ANSI/IEEE 802.3u)

Supports FDDI
(X3T9.5 / X3T12)

Protocol supported:
P,UDP,TCP,ICMP,IGMP,
NTP,SNMP

Route FDDI IP unicast and
multicast traffic to/from the
Ethernet network

Bridge FDDI unicast traffic
to/from the Ethernet network

0° to 55°C
operating temperature

Dual FDDI port with SC con-
nectors and hardware fail-over
mechanism

Ethernet 10/100 Base TX port
with front connector

Bluecat linux 4.0
operating system

The DTIU version 3.1.0 is intended to be a unit that interconnects an host equipped with a Fiber Distributed Data Interface (FDDI), to a standard Ethernet based Local Area Network (LAN). It will allow the host to access the LAN for communication and management purposes.

It can be configured in two modes of operation: either as a full unicast/multicast router with NTP, SNMP and a remote configuration/management service, or as a pseudo-bridge with no additional services.

In the pseudo-bridge mode, the DTIU bridges unicast IP traffic from FDDI to Ethernet by using the proxy-ARP technique. It can be configured as transparent (with no IP assigned to the DTIU itself) or as non-transparent with one or two IP assigned to the DTIU.

In the unicast/multicast router, the DTIU routes unicast and multicast IP traffic to/from FDDI from/to Ethernet depending on the configured routing table that can be set/stored in its non-volatile storage

VME FDDI

Ethernet to FDDI router VME communication module

SPECIFICATION

Host Processor(CPU)

Thales computers VCE405,
IBM PowerPC 405 @ 266Mhz

Memory Resources

64 MB SDRAM—8MB FLASH

Compact Flash 128 MB

Protocol Supported

Ethernet (ANSI/IEEE 802.3)

Fast Ethernet (ANSI/IEEE 802.3u)
through a standard 10/100

ethernet NIC, with an RJ45

Base TX port

FDDI(X3T9.5 / X3T12)

through a dual port FDDI NIC
with a hardware fail-over
mechanism

Power Requirement

Dissipation < 15W

Current < 3A@5 VDC

Current < 100mA @ \pm 12VDC

Operating Temperature

0° to 55° C with air flow
1.5m/s

Network Interfaces

10/100 Base T front panel

Ethernet port

10/100 Base T alternate

Ethernet port from P0/P2

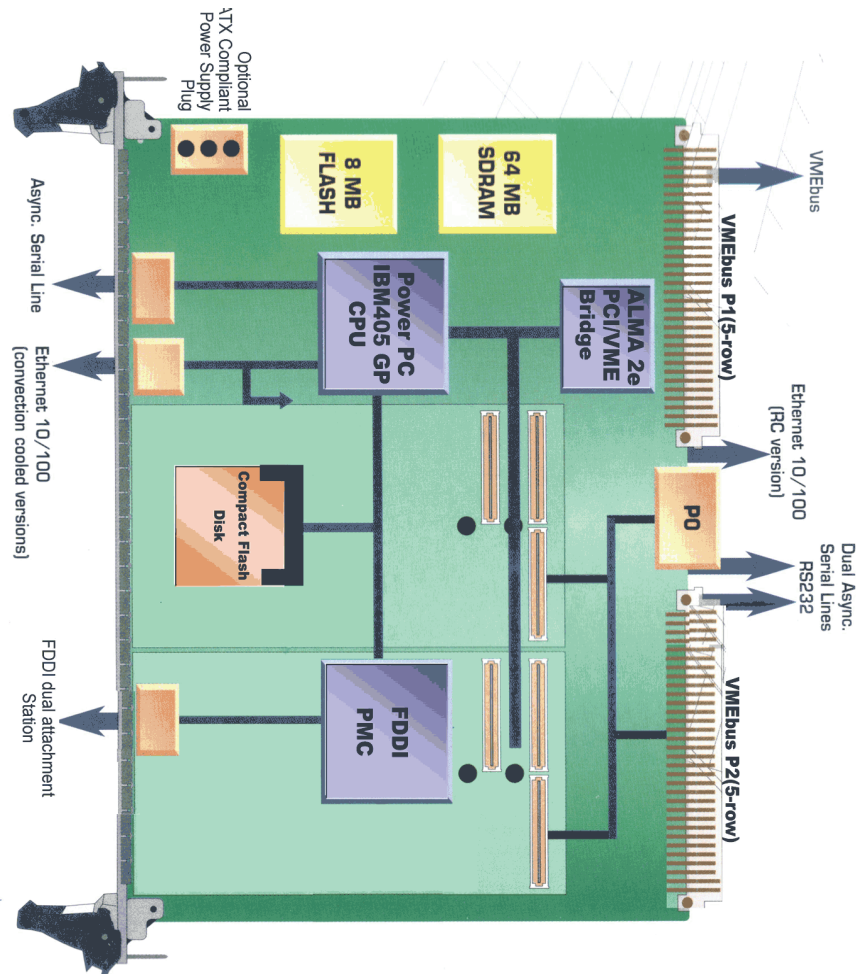
FDDI dual attachment port

with SC-type fibre connectors

Reliability

MTBF: 227000 hours GB25
(MIL- HDBK-217 F)

BLOCK DIAGRAM



ORDER INFORMATION

Model Number	Description
ESYP-DTIUS-SYS/P	Data transfer interface 0° to 55°
ESYP-DTIUS-SYS/PE	Ethernet on P2 rear connector
ESYP-DTIUS-SYS/PB	Battery not installed
ESYP-DTIUS-SYS/PC	Conformal Coating
the several options can be arranged	